

[BSS200-P1]

# Microwave Multispan Detector

Security for plant and facilities, etc.

Applying to various needs from temporary to fixed installation.



BSS200-P1, Microwave Multispan Detector is an intruder detection sensor using 24GHz microwave.

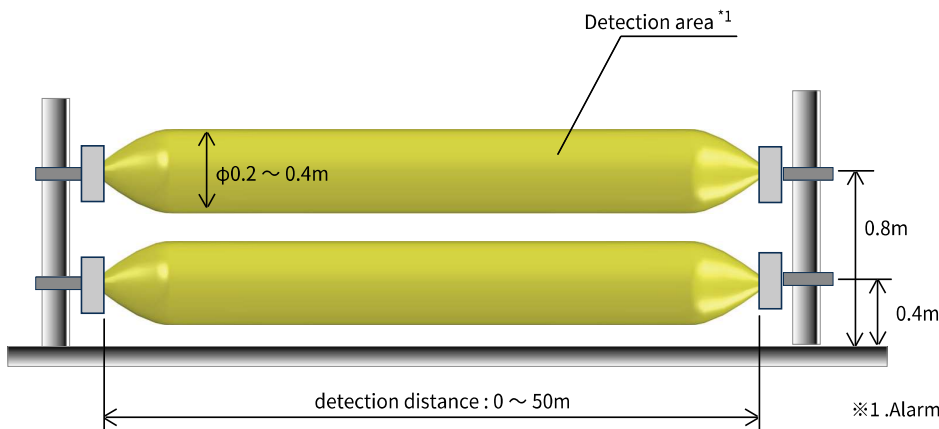
The sensor will detect intruder by intercepting activated detection area consisted by each Tx and Rx.

※Compliant with ARIB STD-T73

## <Advantages and features of the product>

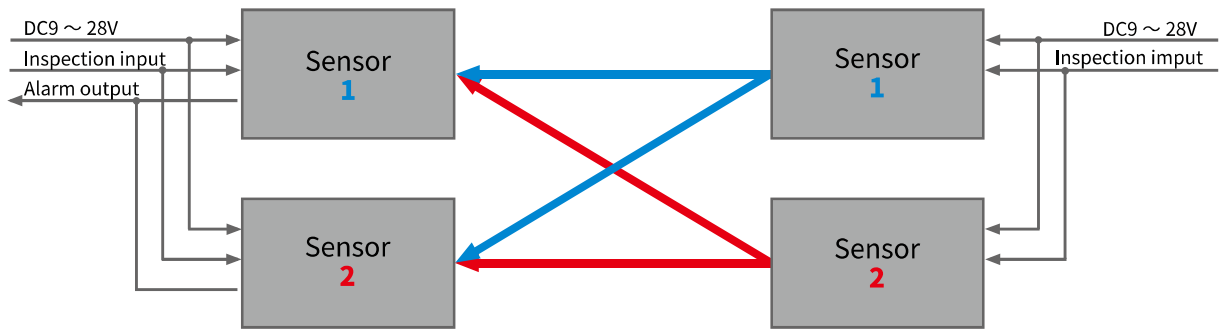
- 1 Strong to out-door environments**  
Keeping reliability against environmental changes such as rain, wind, snow, and fog.
- 2 Easy adjustment of equipment**  
Unnecessary adjustment of beam-axis.
- 3 Consideration is unnecessary for the place of installation**  
Such as along the wall, and over the fence.
- 4 Easy installation**  
Achieving easy installation by compact size sensor and simplified I/F.

## Example of monitoring (2 stacked sensors)



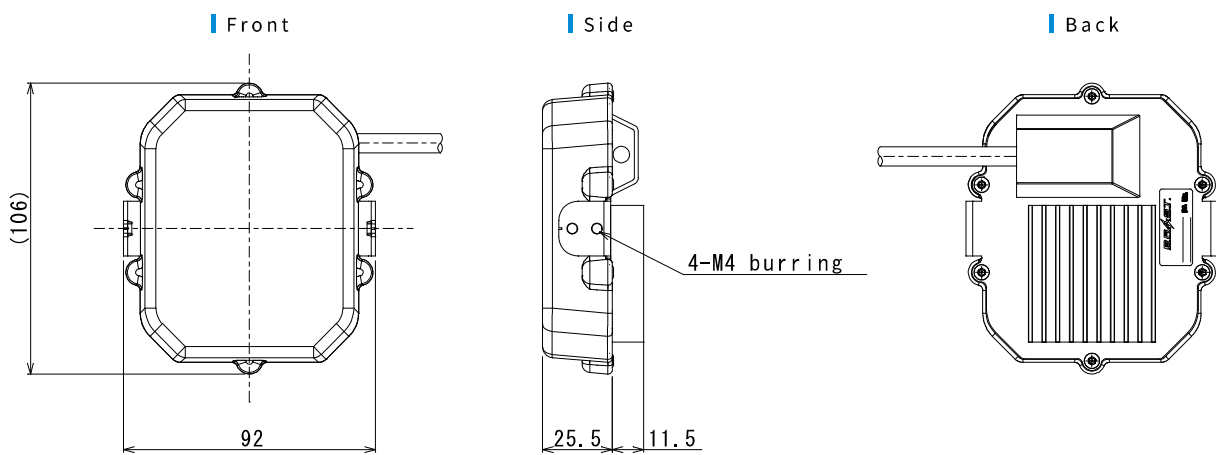
※1. Alarm area may change in activated detection area according to environment of place of installation.

## Configuration of 2 stacked sensors



## Outline drawing

### ● Outline drawing/Scale (unit:mm)



## Specification

Model	BSS200-P1
Detection method	Opposite line microwave beam intercept detection method
	Compliant with ARIB STD-T73
Oscillation frequency	24.050~24.250GHz
Detection area	Detection width: $\phi 0.2 \sim 0.4\text{m}$ (changes according to installation environment) Separation of units installed: 3~50m
Oscillation output power	10mW max.
Possible number of units for simultaneous operation	1 stacked sensors: 45 units 2 stacked sensors: 18 units 3 stacked sensors: 9 units
Outer drawing	H106 × W92 × D37mm
Material	Radome: AES (weather-proof resin) Backside cover: SUS304, Heat sink: A6063
Weight	355 ± 5g
Power supply	DC9~28V
Consumption power	below Typ.3W (below Max.7W)

Operating ambient temperature	-20~60°C (No freezing and condensation)
Storage ambient temperature	-30~75°C (No freezing and condensation)
Level of water protection	IP67
I/F	Alarm output × 1 Inspection input × 1
Multiple stack installation	3 stacks
Option	Mounting brackets

■ The specification may change without notice.